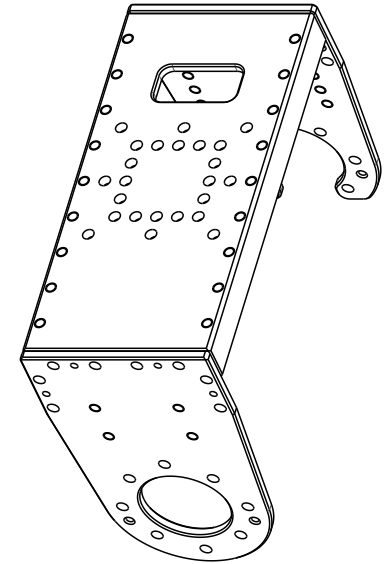
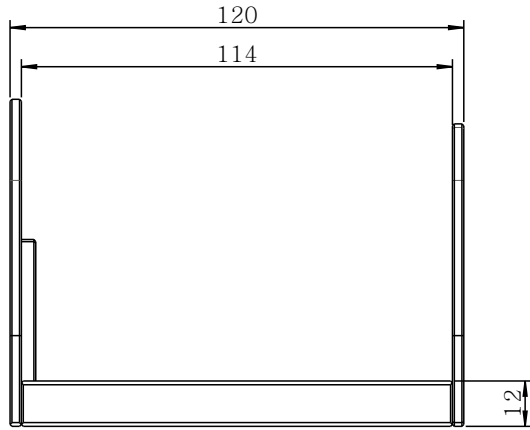
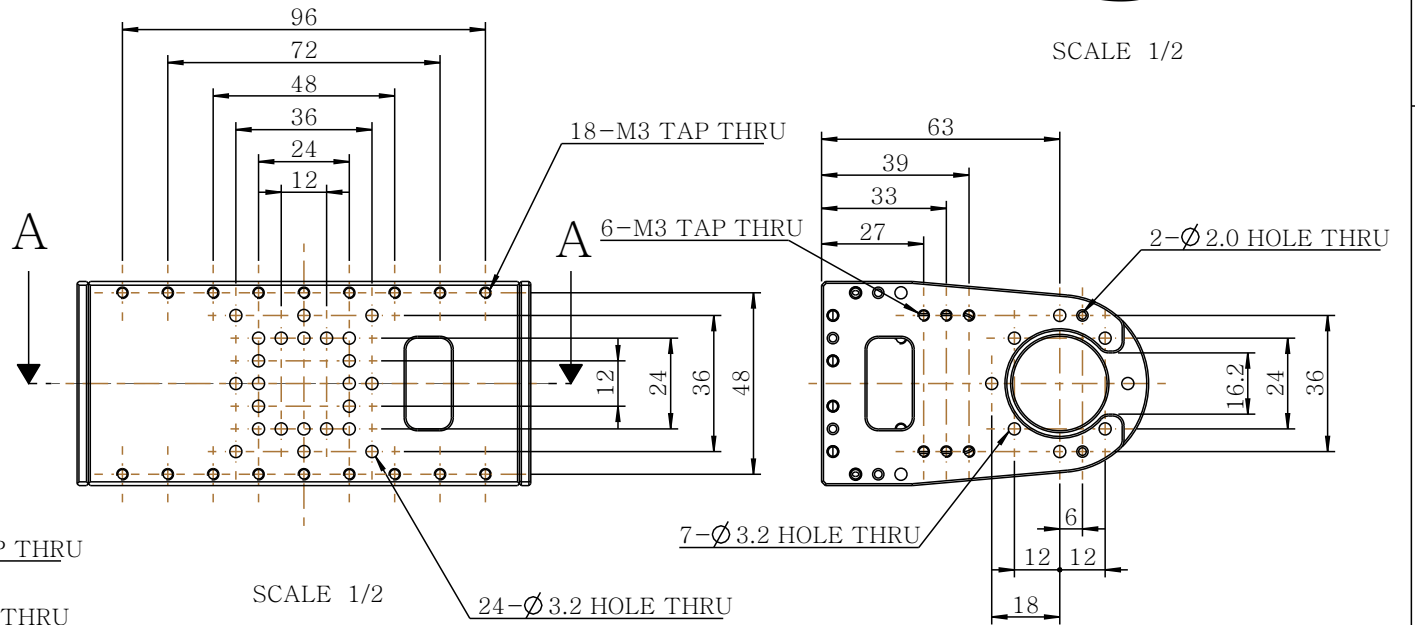
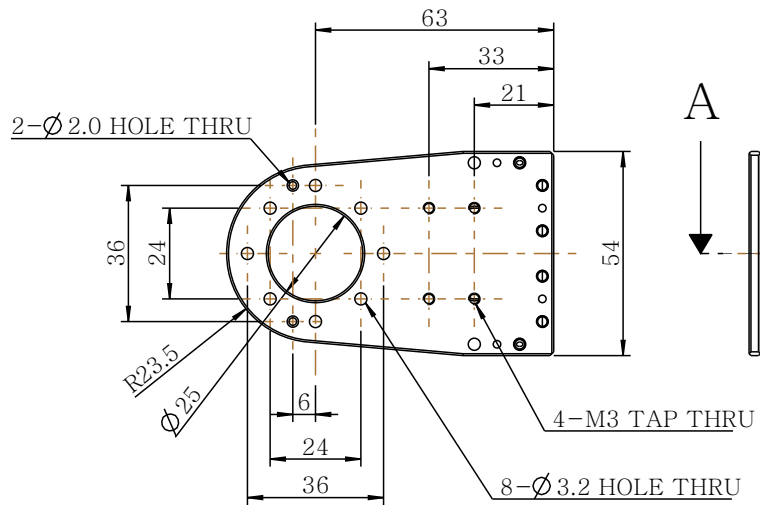


SECTION A-A
SCALE 1/2



SCALE 1/2



SCALE 1/2

[FOR REFERENCE ONLY]

Title	FRP54-H110	Material	AL	Scale	NONSCALE	Unit	mm	Sheet	1 of 1	ROBOTS
Date	08/19/2013									
		A4								