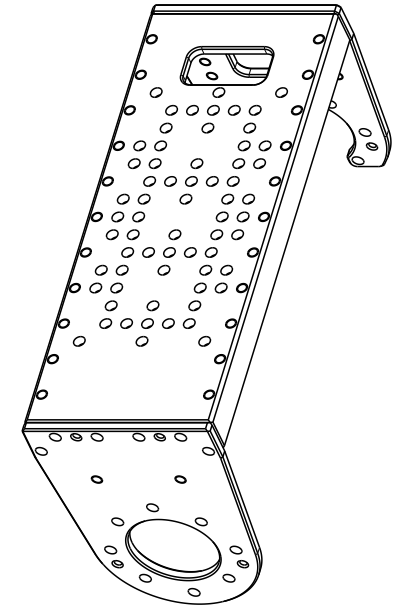
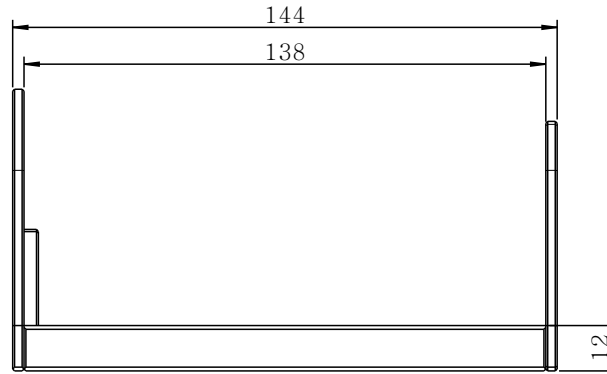
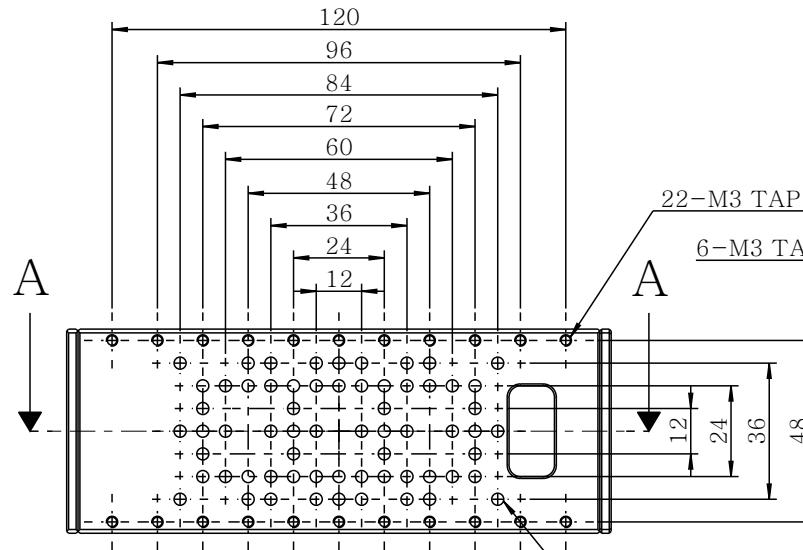
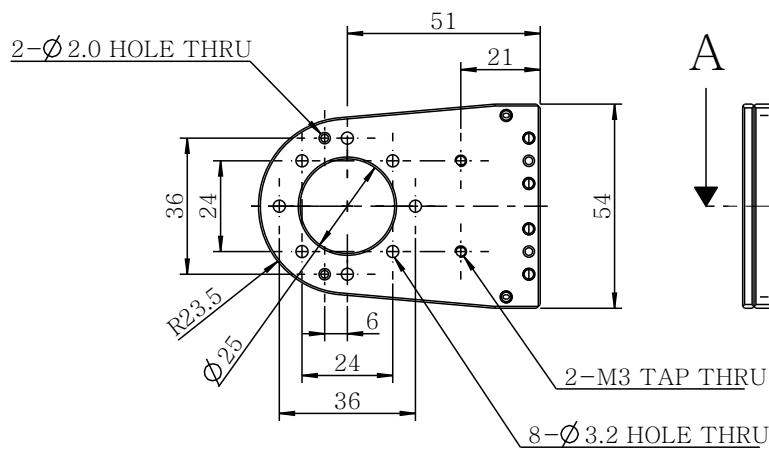


SECTION A-A  
SCALE 1/2



SCALE 1/2



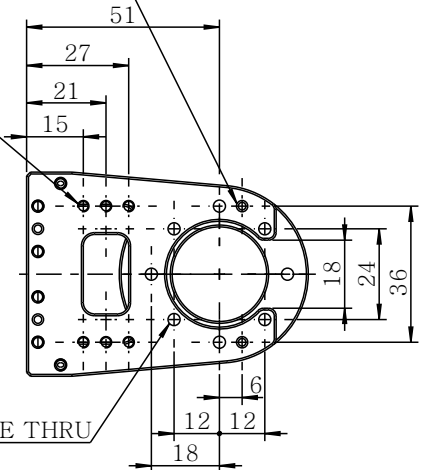
SCALE 1/2

22-M3 TAP THRU  
6-M3 TAP THRU

2-Ø2.0 HOLE THRU

7-Ø3.2 HOLE THRU

64-Ø3.2 HOLE THRU



[FOR REFERENCE ONLY]

Title	FRP54-H220	Material	AL	Scale	NONSCALE	Unit	mm	Sheet	1 of 1	
Date	01/07/2014									