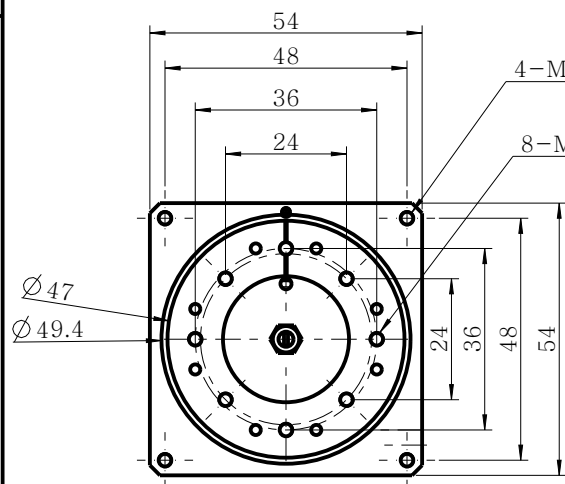
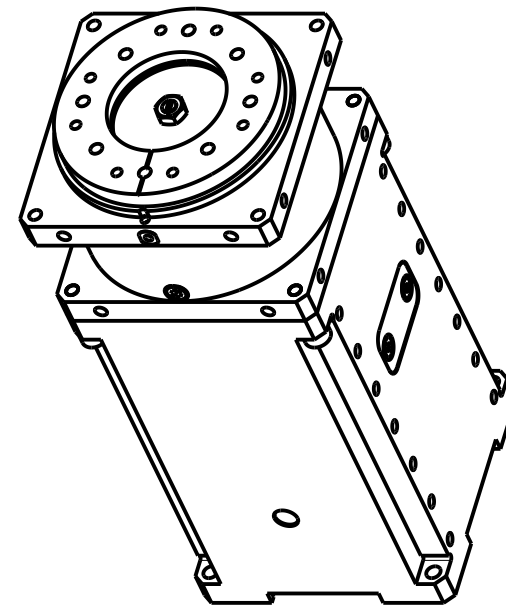
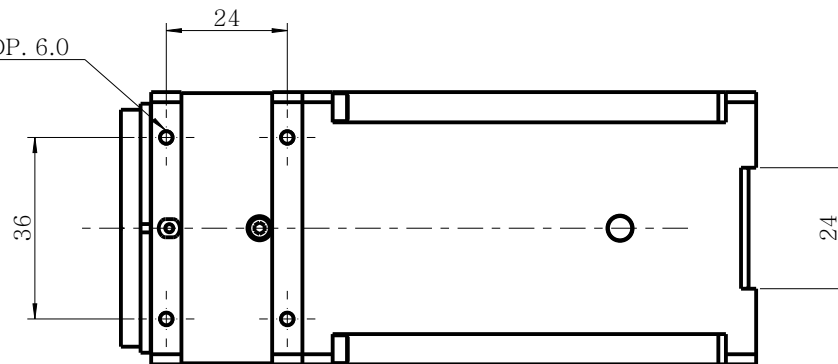


16-M3 TAP DP. 6.0

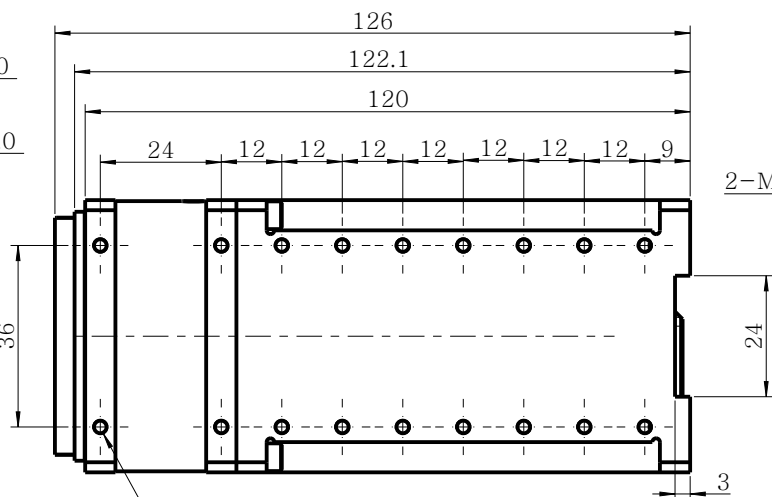


4-M3 TAP DP. 6.0

8-M3 TAP DP. 6.0

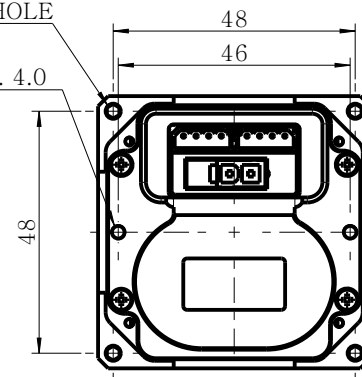
∅47

∅49.4



36-M3 TAP DP. 6.0

4-∅3 HOLE
2-M3 TAP DP. 4.0



[FOR REFERENCE ONLY]

Title H54-200-S500-R / M54-60-S250-R		Material	Scale	Unit	Sheet	
0.000	Date 06/11/2014		NONSCALE	mm	1 of 1	