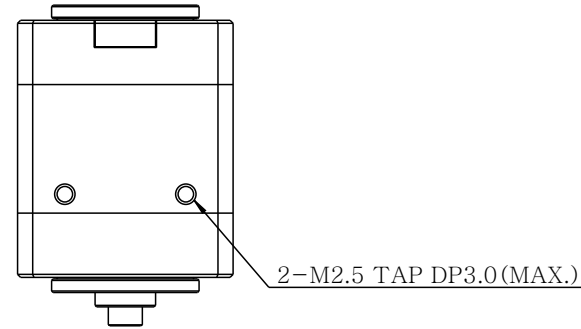
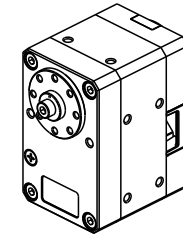


REV.	DESCRIPTION	CHK	DATE



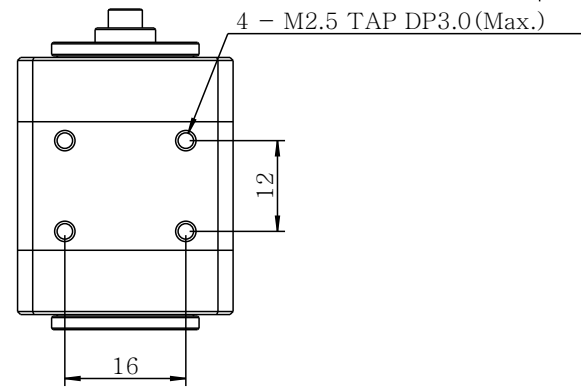
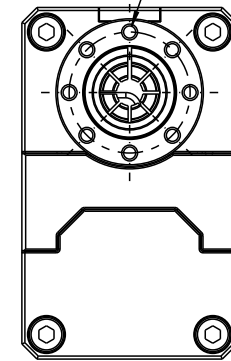
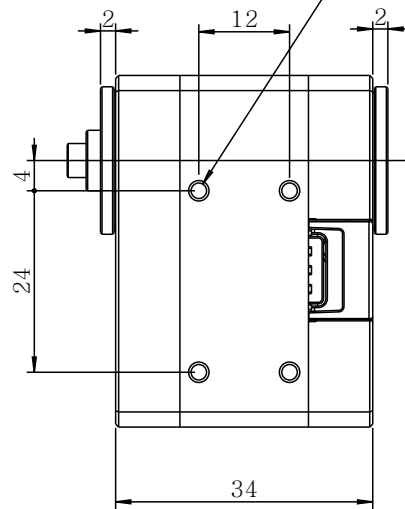
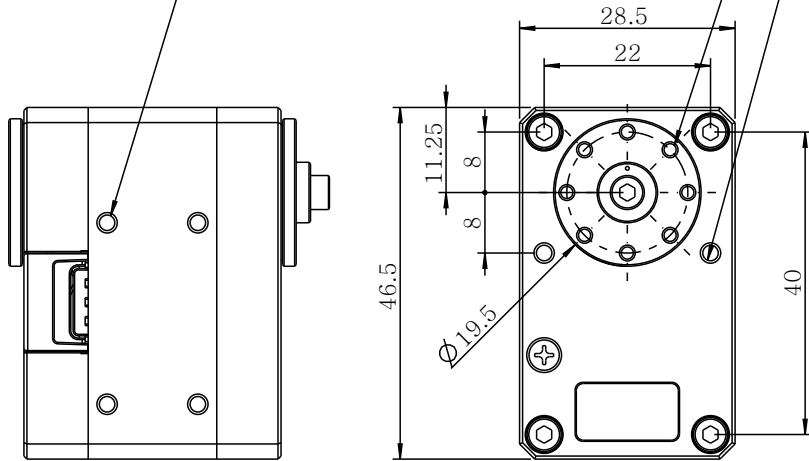
8-M2.0 TAP DP2.0(Max.)  
P.C.D Ø 16

4-M2.5 TAP DP3.0(Max.)

2-M2.5 TAP DP3.0(Max.)

4-M2.5 TAP DP3.0(Max.)

8-M2.0 TAP DP2.0(Max.)  
P.C.D Ø 16



[FOR REFERENCE ONLY]

XM-430	Material	Scale	Unit	Sheet	
23/03/2016		Nonescale	mm	1 of 1	

